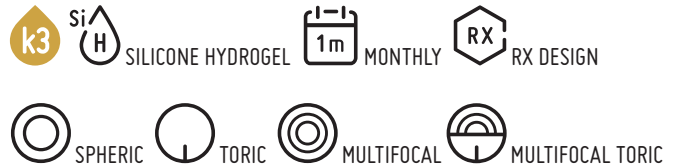


Saphir RX

Inspire your eyes
markennovy



Saphir Rx is a monthly soft contact lens individually made with **Silicone Hydrogel**, the most advanced material on the market, which maximises oxygen flow to the eye. Its unique combination of comfort, breathability and vision quality suits even the most demanding contact lens user.



CHARACTERISTICS

- More Custom** Individually made for each eye in all designs.
- More Comfort** High water content Silicone Hydrogel (75%) with a non-ionic surface.
- Vision Type** HD—for all day clarity and precision.

TECHNICAL SPECIFICATIONS

MATERIAL	Silicone Hydrogel Filcon V3 75% Non-ionic surface		
Dk	60		
		Parameter Range	Steps
DIAMETER (mm)	⊙ ⊙ ⊙ ⊙	13.00 to 16.00	0.50
BASE CURVE (mm)	⊙ ⊙ ⊙ ⊙	6.80 to 9.80	0.30
SPHERE (D)	⊙ ⊙ ⊙ ⊙	+30.00 to -30.00	0.25
CYLINDER (D)	⊙ ⊙	-0.75 to -8.00	0.25
AXES (°)	⊙ ⊙	All	1°
ADDITION (D)	⊙ ⊙	+0.50 to +4.00	0.50

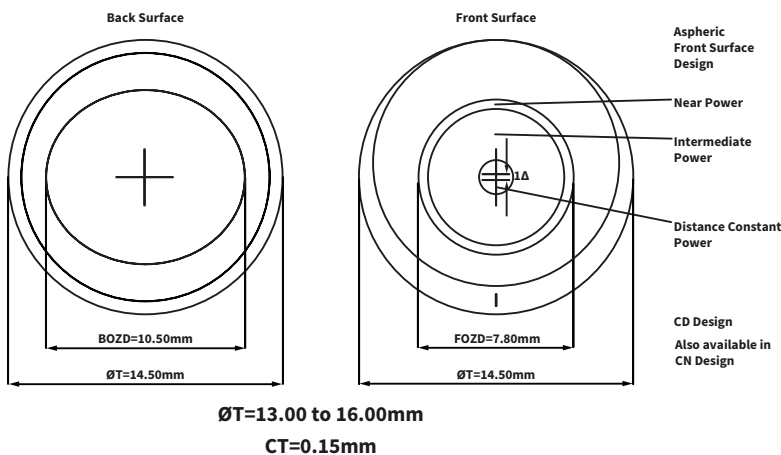
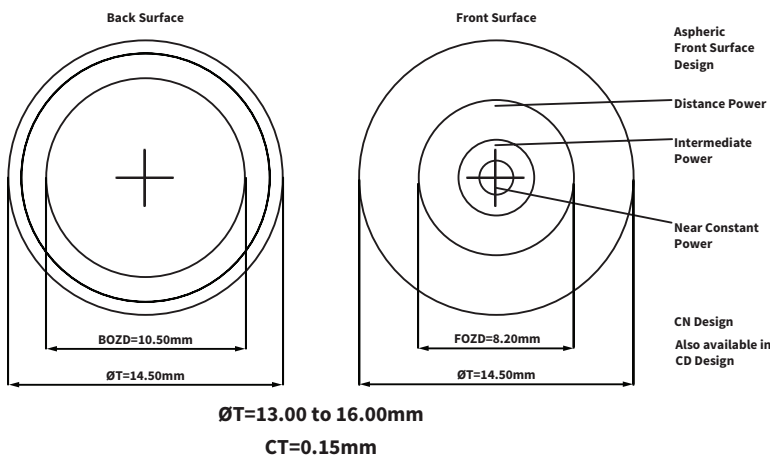
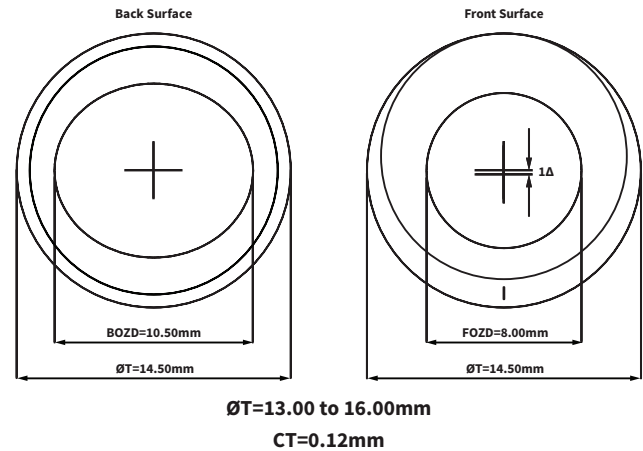
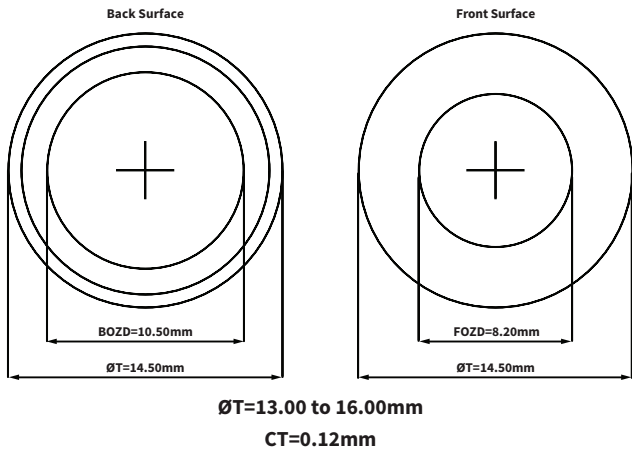
FITTING GUIDE ⊙ ⊙ ⊙ ⊙

DIAMETER (mm)	13.00	13.50	14.00	14.50	15.00	15.50	16.00
BASE CURVE (mm)	6.80-8.90	7.10-9.20	7.40-9.50	7.70-9.80	8.00-9.80	8.30-9.80	8.60-9.80
BASE CURVE FITTING	Km +0.0	Km +0.1	Km +0.3	Km +0.5	Km +0.7	Km +0.9	Km +1.1

Are you an Eye Care Professional?

Order your contact lenses at www.markennovy.com through **MyEnnovy**, or contact our team to begin working together.

SAPHIR RX LENS DESIGN



Lens design parameters may change depending on the power

- *Based on Sph -3.00
- **Based on Sph -3.00 Cyl -2.75
- ***Based on Sph -3.00 Add 2.00
- ****Based on Sph -3.00 Cyl -1.25 Add 2.00

MULTIFOCAL & MULTIFOCAL TORIC

CD & CN	
Myopia - Low Hypermetropy	
Dominant Eye	Non-Dominant Eye
CD: Centre Distance	CN: Centre Near
Hypermetropy > +0.75D	
Dominant Eye	Non-Dominant Eye
CN Design for Both Eyes	